

# Reflection Water Level Gauge PN 40 NIVOFLEX type 22/220

The liquid water level gauge type NIVOFLEX 22/220 is an universal reflection gauge for heating and refrigeration as well as for storage vessels. Reflection water level gauges are equipped with sight glasses with grooves for a clear contrast in the display.

**Design**

The water level gauge type NIVOFLEX 22/220 is designed in accordance to the relevant German rules (TRD, AD, DIN).

**Technical data**

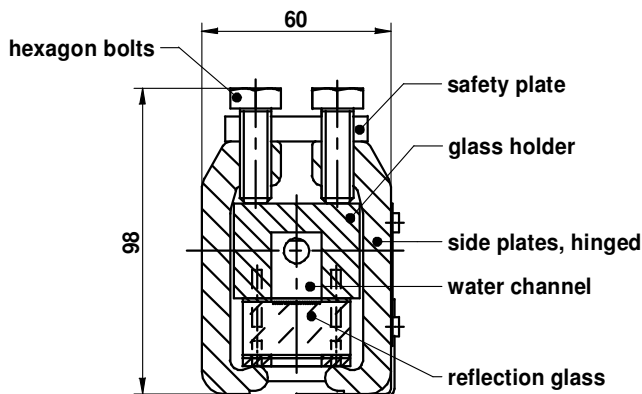
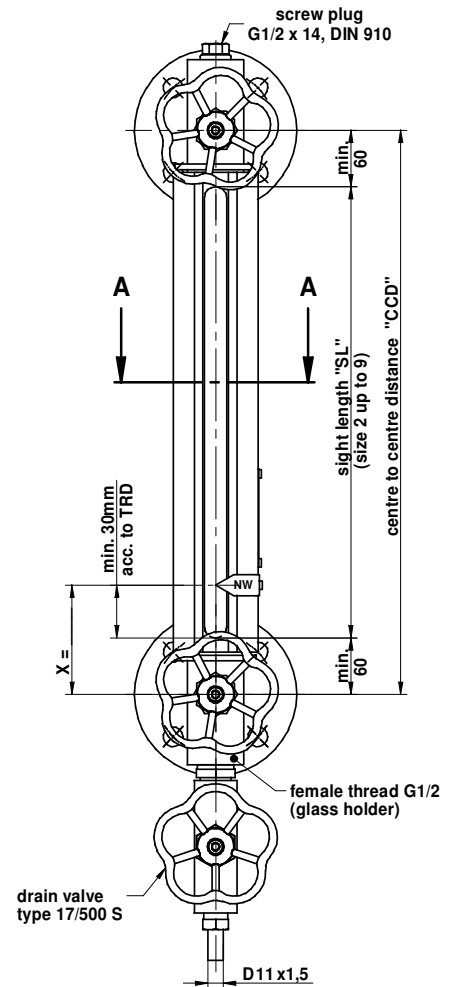
- glass holder in front with reflex sight glasses
- glass size 2 up to 9 according to DIN 7081
- glassholder acc. necessary centre-to-centre distance with one or more sight lengths with interruptions between the different visual indications (see on reverse)
- integrated valves below and above, internal valve diameter 8 mm
- process connection: flange DN 20-25/PN 40, form C
- with drain valve type 17/500, G 1/2
- vent plug G 1/2 x 14 mm, DIN 910

**Material**

- glass holder made of stainless steel mat. 1.4571
- side plates made of steel mat. 1.0038
- connection flanges made of stainless steel mat. 1.4571
- housing of drain valve made of stainless steel mat. 1.4571
- shut off parts made of stainless steel mat.. 1.4401, 1.4571
- reflection glass made of borosilicate, gaskets free of asbestos (graphite with foil support)

**Additional equipment**

- automatically closing ball for shut off valves (safety device) (min. 1 bar overpressure necessary for function)
- mica protection outside for protection in outdoor installations
- NW-mark for lowest water level acc. TRD



section A-A

# Reflection Water Level Gauge PN 40 NIVOFLEX type 22/220

**Table glass size / range of centre-to-centre-distance**

glass size *	2	3	4	5	6	7	8	9
glass length (mm)	140	165	190	220	250	280	320	340
sight length „SL“ per segment (mm)	120	145	170	200	230	260	300	320
<b>min. centre-to-centre-distance (mm)</b>								
1 x glass size	240	265	290	320	350	380	420	440
2 x glass size				570	630	690	770	810
3 x glass size				820	910	1000	1120	1180
4 x glass size				1070	1190	1310	1470	1550
5 x glass size				1320	1470	1620	1820	1920

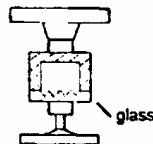
\* reflection glass DIN 7081, width = 34 mm, thickness = 17 mm

**sight length = min. centre-to-centre-distance - 120 mm**  
**interruption between 2 sight glasses: min. 50 mm**

**conditions:**

oper. temperature	operating pressure
	glass size 2 - 9
-10 up to 120 °C	40 bar
-10 up to 200 °C	32 bar
-10 up to 243 °C	28 bar
max. limit for reflection glass DIN 7081 = 243 °C	

**arrangement:**



**direction of view**

**order data**

centre-to-centre-distance, flange size, glass size, operating pressure, operating temperature, fluid, additional equipment